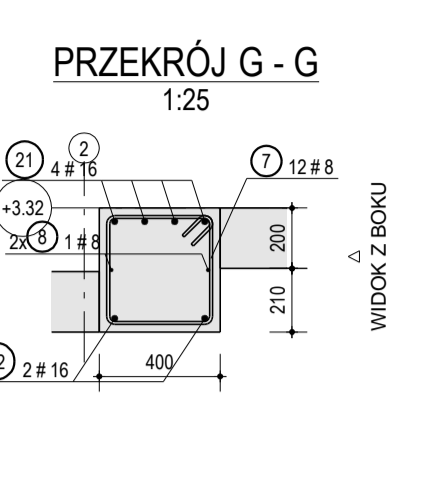
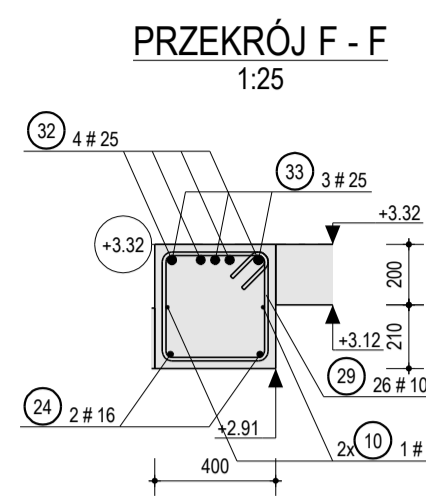
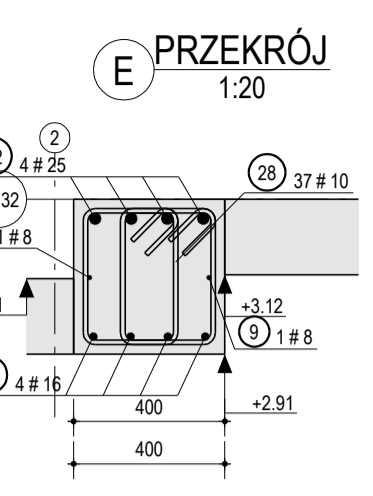
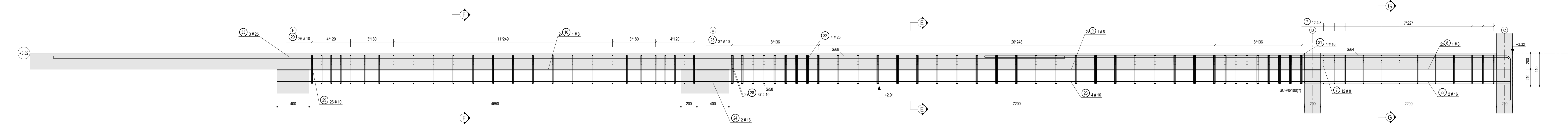
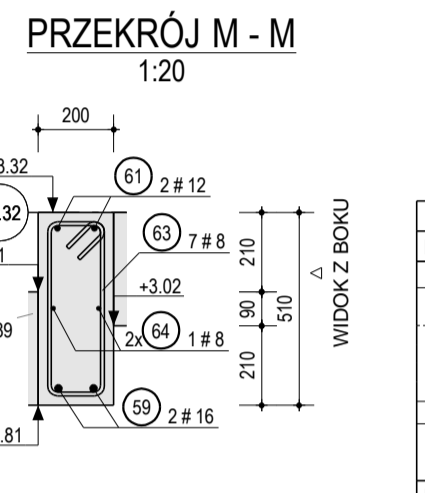
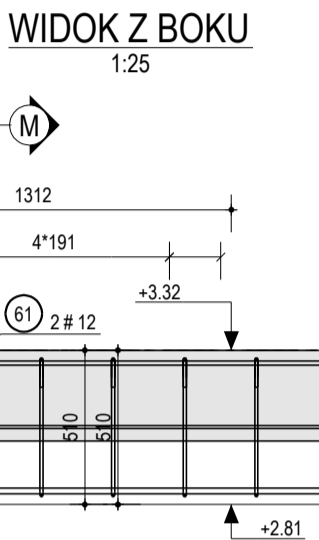
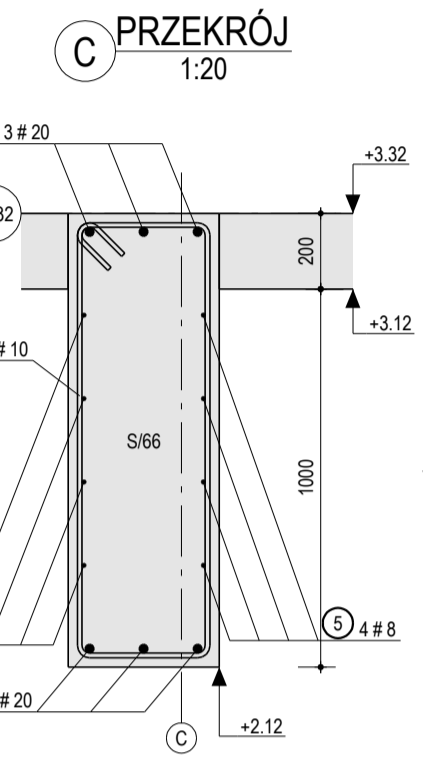
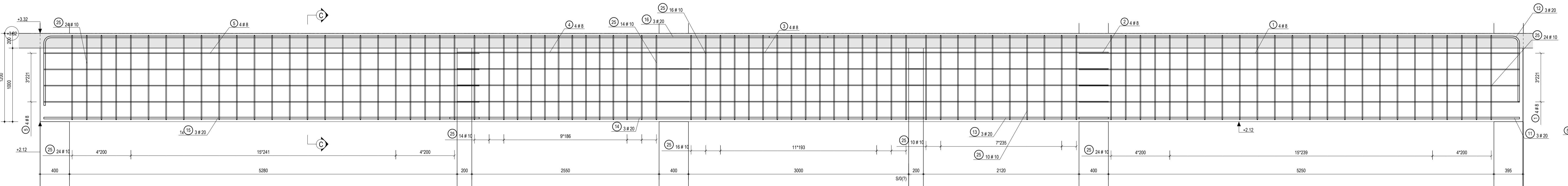


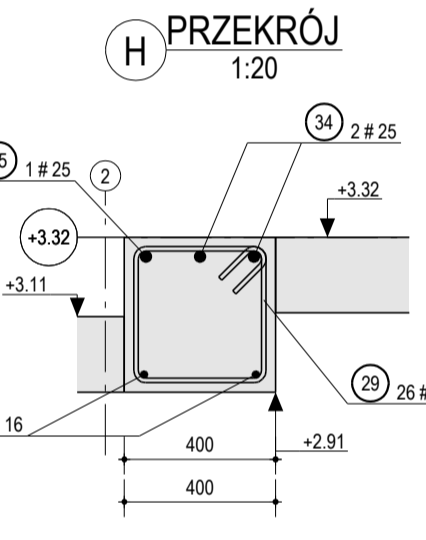
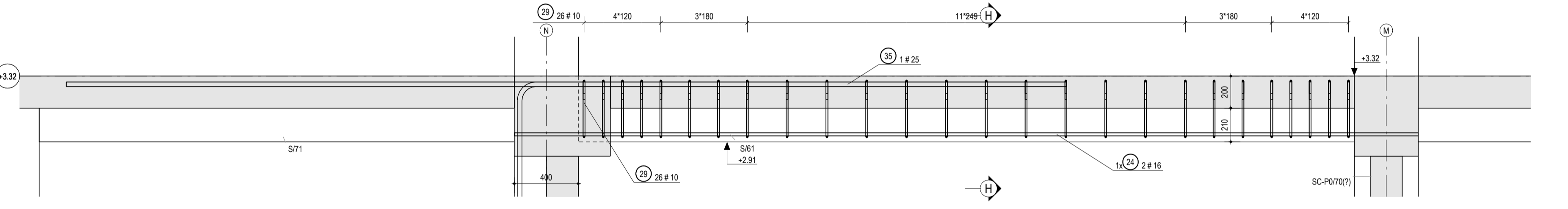
WIDOK Z BOKU
1:20



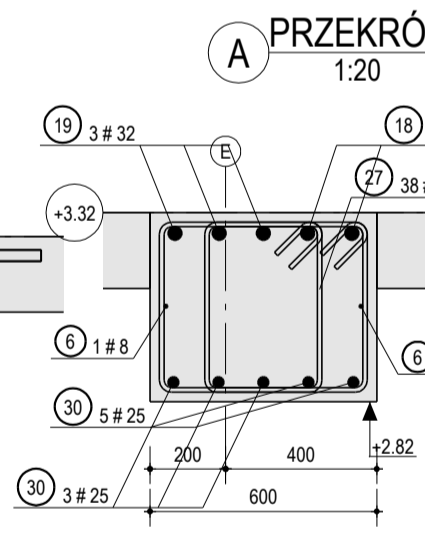
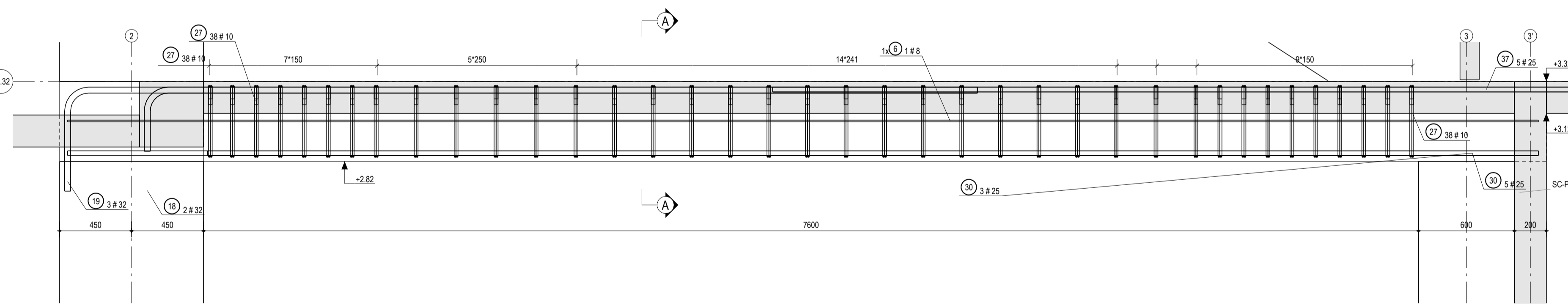
WIDOK Z BOKU
1:25



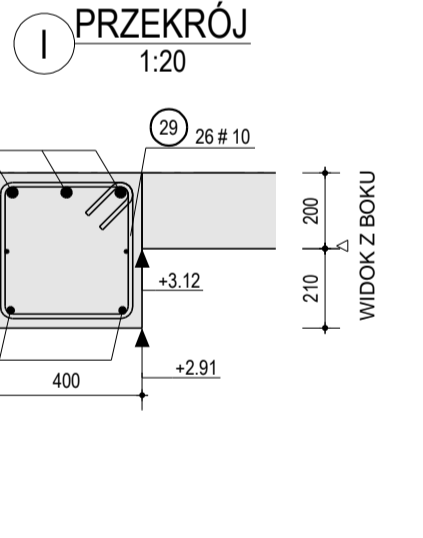
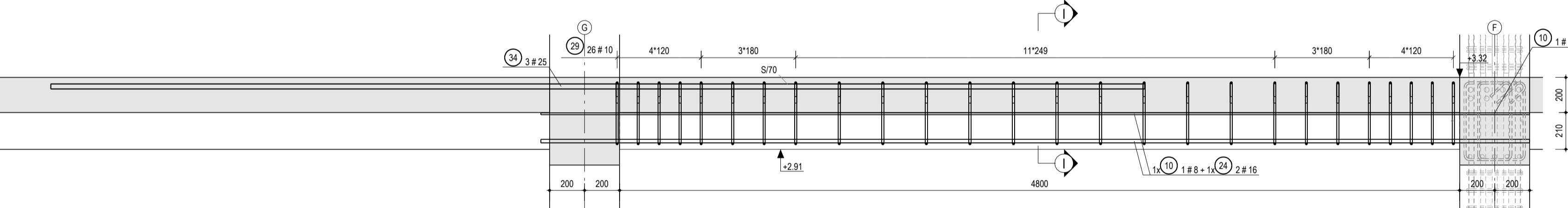
WIDOK Z BOKU
1:20



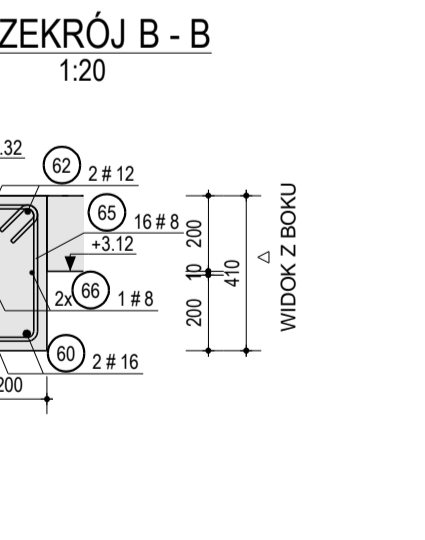
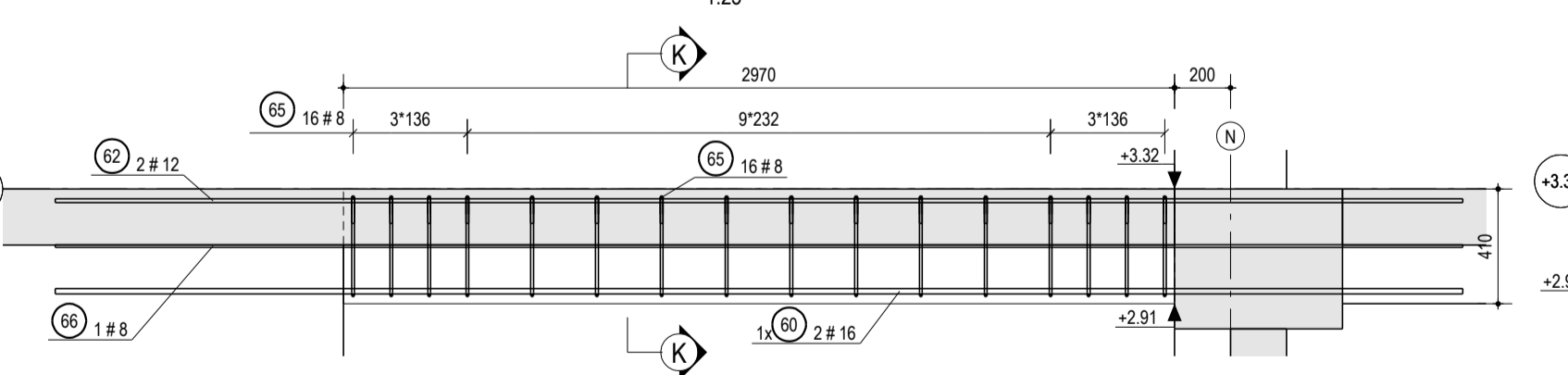
WIDOK Z BOKU
1:20



WIDOK Z BOKU
1:20



WIDOK Z BOKU
1:25



WIDOK Z BOKU
1:20

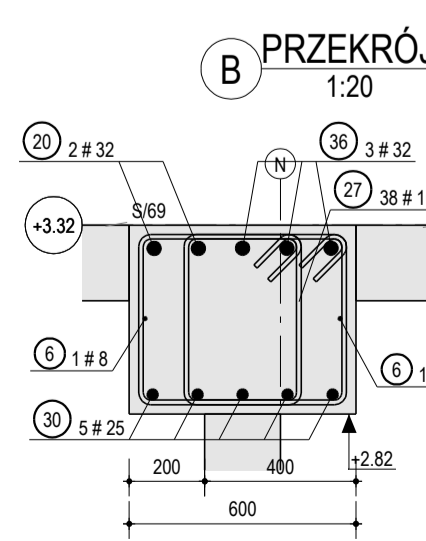
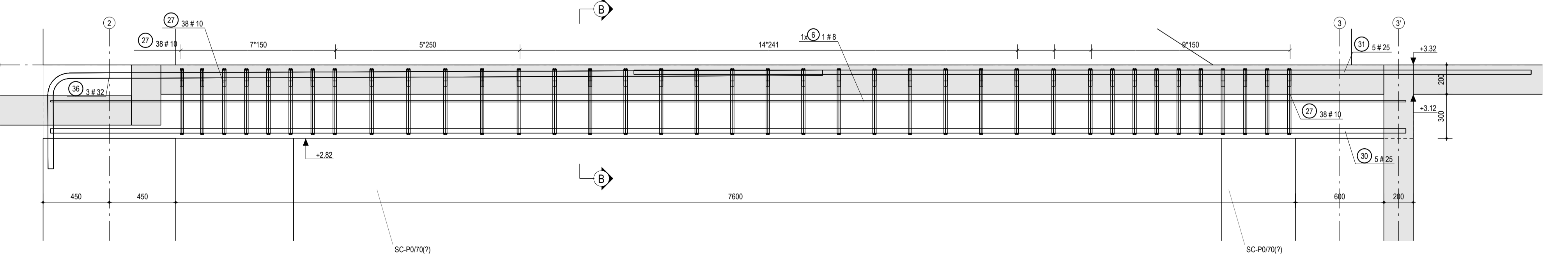


Table with 10 columns and 2 rows showing reinforcement details for different beam sections. Columns include beam ID, length, and reinforcement specifications.

Table titled 'ZESTAWIENIE STALI ZBROJENIOWEJ' (Reinforcement Steel Schedule) with columns for position, material, and dimensions. It lists various reinforcement bars and their quantities.

Project information block including the name 'PRIMES', project name 'Projekt hali sportowo-widowiskowej wraz z zagospodarowaniem terenu przy ul. Zastarcza 26 oraz parkingiem przy ul. Gromadzkiej', and contact details for the engineering office.